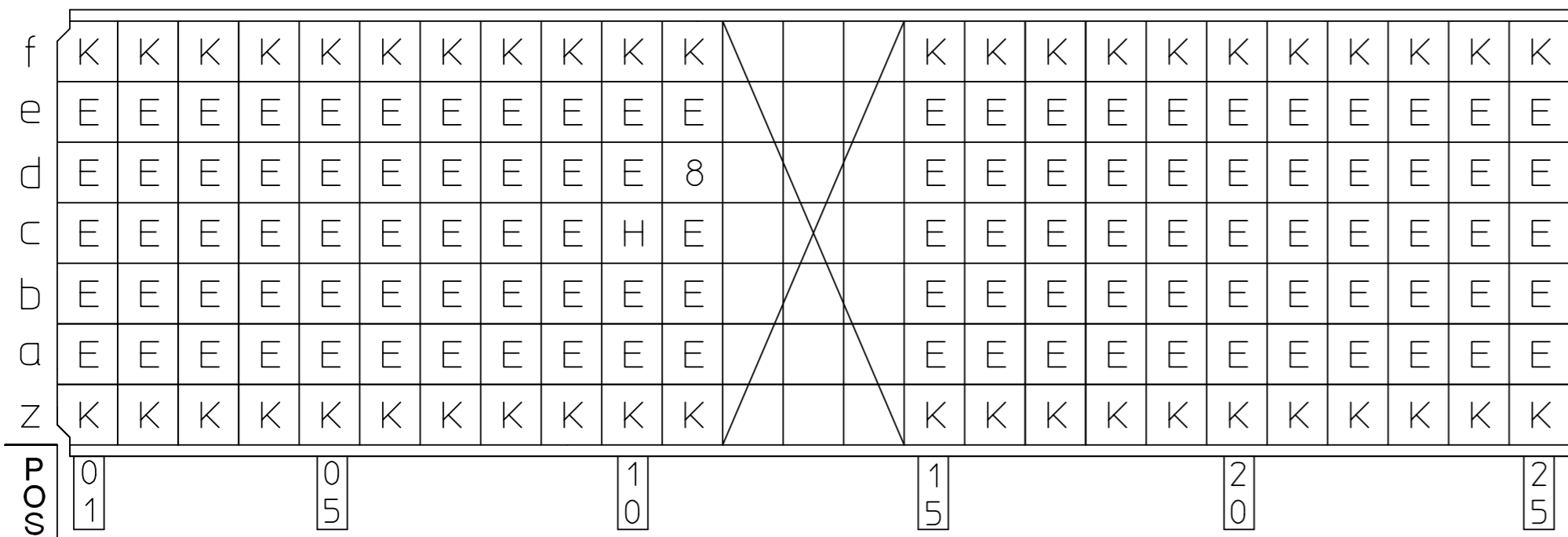
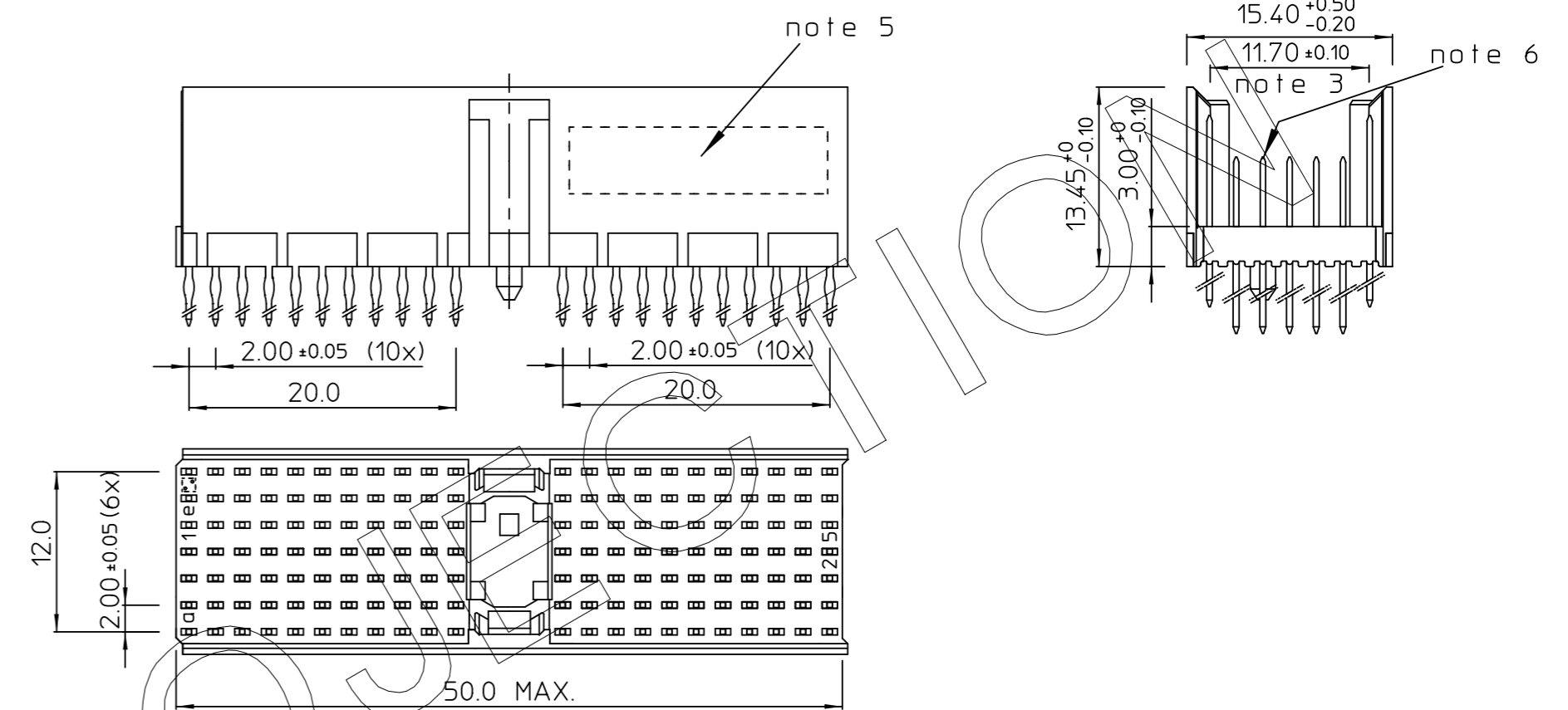


REV.	DATE	DESCRIPTION	BY	C'K'D'
A	14-09-01	CONVERSION REVISION 02	KN	

LOADING PATTERN MATING SIDE

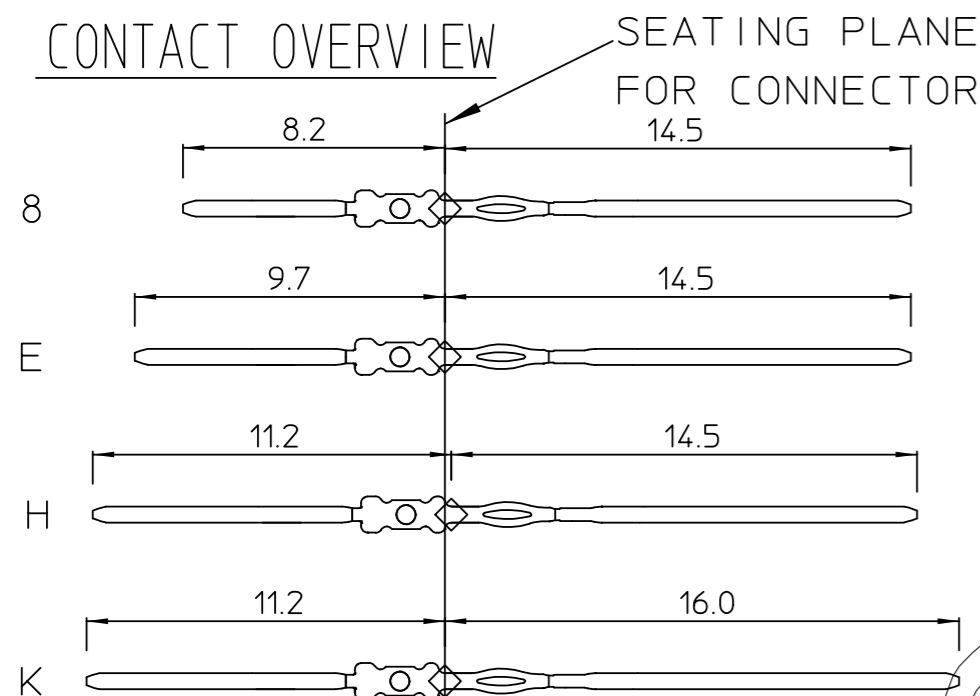


LOADED CONNECTOR ASSEMBLY (FOR EXAMPLE)

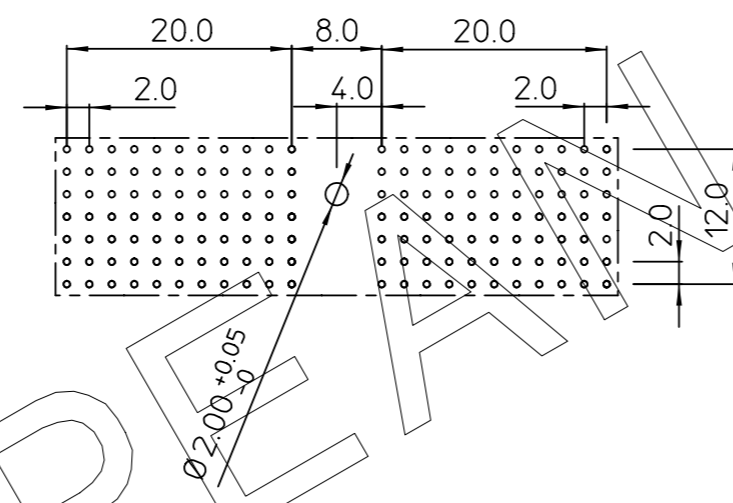


SHEET NR. :

CONTACT OVERVIEW



LAY-OUT P.C.B.-HOLE



PLATING TABLE

HM2P--P----- PLATING CODE (DIGIT 13 AND 14)

CODE	CONTACT AREA		
E9	1.00 μ Au min over 1.3 μ Ni min.	SHORT / WIRE WRAP CONTACTS	PERFORMANCE LEVEL 1 (500 mating cycles)
N9	0.80 μ Au min over 1.3 μ Ni min.	SHORT / WIRE WRAP CONTACTS	PERFORMANCE LEVEL 2 (250 mating cycles)
Z1	0.40 μ Au min over 1.3 μ Ni min.	SHORT / WIRE WRAP CONTACTS	PERFORMANCE LEVEL 3 (50 mating cycles)
GL	1.00 μ Au min over 1.3 μ Ni min.	REAR PLUG-UP CONTACTS	PERFORMANCE LEVEL 1 (500 mating cycles)
GF	0.80 μ Au min over 1.3 μ Ni min.	REAR PLUG-UP CONTACTS	PERFORMANCE LEVEL 2 (250 mating cycles)
GC	0.40 μ Au min over 1.3 μ Ni min.	REAR PLUG-UP CONTACTS	PERFORMANCE LEVEL 3 (50 mating cycles)

RECOMMENDED PLATED THROUGH HOLE DIMENSIONS

- * DIAM.DRILLED HOLE : 0.675/0.725
- * DIAM.FINISHED HOLE : 0.55/0.65
- * Cu THICKNESS : 25/50μm.
- * SnPb THICKNESS : 4/10μm.

NOTES

1. THIS PRODUCT IS CSA APPROVED.
2. THIS PRODUCT IS UL RECOGNIZED.
3. MEASURED AT THE BOTTOM.
4. MATERIAL CONTACT: PHOSPHORBRONZE
HOUSING: CREAM WHITE GLASFILLED POLYESTER UL-94V0
5. CONNECTOR PRINTED WITH P/N AND DATE CODE.
6. FOR ACTUAL CONTACT LOADINGS, SEE LOADING PATTERN MATING SIDE.

1DEC ±0,2 1DEC 2DEC ±0,1 2DEC ANGLES ±1° HOEKEN	APPR. DRAFT CHECKED	DATE 14-09-98	SIGN. M.Frel	LOADING PATTERN OVERVIEW	
WE RESERVE THE RIGHT TO CHANGE DIMENSIONS OR REQUIREMENTS WITHOUT PRIOR NOTICE.	PROD. MGR. PR. ENG. MGR. PR. MGT. MGR.			CAT. No. HM2P07PMG1A4--	
ALL DIMENSIONS IN MM	REFERENCES / REFERENTIES		FCI MECHELEN N.V. A. SPINOYSTRAAAT 8, 2800 MECHELEN		SCALE
ALLE AFMETINGEN IN MM			BS, C , 201843, 645		A
			DRAWING No. CUSTOMER DRAWING		REVISION